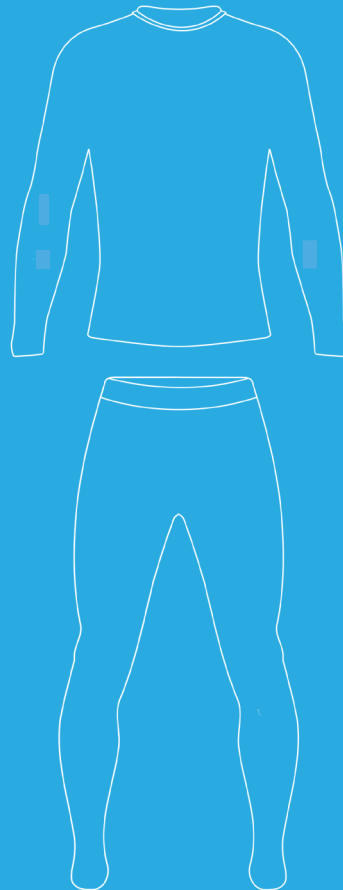




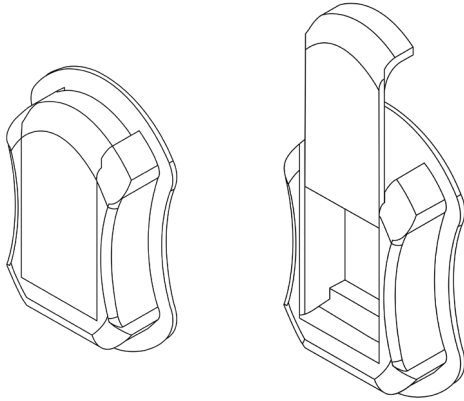
# SMART GARMENT

QUICK START GUIDE



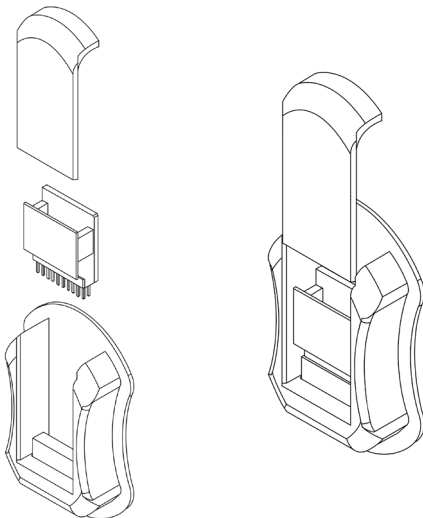
## STEP 1

Remove the casing from the enclosure. Press gently on the case cover and push to slide the cover upwards



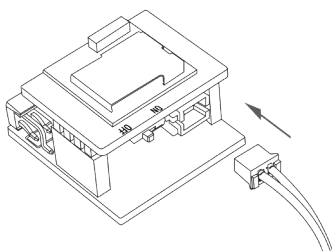
## STEP 2

Plug the 10-channel circuit into the casing. Inside the casing will be a 10-pin connector to plug the circuit into. Carefully slide the circuit pins into the connector and secure in place.



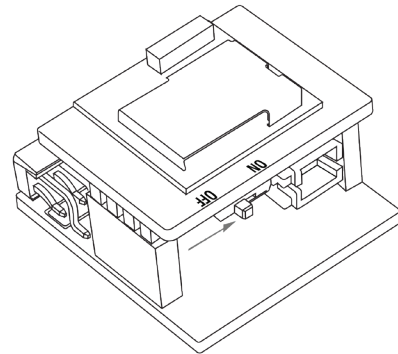
## STEP 3

Connect the batteries to the circuit. Slide the battery connector into the socket and push gently into place.



## STEP 4

Flick the switch on the circuit into the "on" position. Close the cover of the enclosure.



## STEP 5

Put on your garment.

## STEP 6

You are now ready to begin visualizing your body motion data. You will need to download the latest version of either our IOS or Android apps and enable bluetooth on your mobile device.

## STEP 7

Open up the app, and scan for available devices, the circuit should appear.

## STEP 8

Tap to connect and you will be able to start tracking motion straightaway.